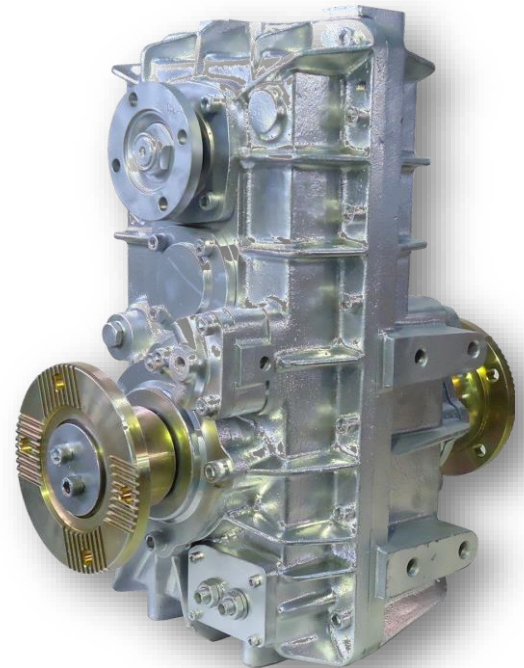


PTO Murat Makina San. ve Tic.Ltd.Şti.



SPEED AMPLIFIER

CATALOG



SPEED AMPLIFIER

Product Code

Inlet

Outlet

9944 R 1/1

1000 Rpm

1000 Rpm

9944 R 1/2

1000 Rpm

2000 Rpm

9944 R 1/2.5

1000 Rpm

2500 Rpm

9944 R 1/3

1000 Rpm

3000 Rpm

9944 R 3/1

3000 Rpm

1000 Rpm



Product Code

Pump Side Connection Type of PTO

Model

Gear Type : Helix

385VD

Coupling - Tanker Flanged

MERCEDES

PTO Type : Three Gear

EATON

Torque Nm : 940

FORD

Power Kw : 97

IVECO

Output Ratio 1000 Rpm : 1:2,5

MAN

Mounting Location : Shaft Between

RENAULT

Control System : Pneumatic

VOLVO

PTO Shaft Rotation : Right and Left - (Pump Shaft
Rotation Direction: Left and

ZF

Weight Kg. : 127,00

